

V10 Compact 2.0

Now even better: Compact surge protection

OBO
BETTERMANN

The new
V10 Compact 2.0
replaces the
established
V10 Compact



- High-performance varistor technology
- Compact structure – only 45 mm wide
- Enlarged screw openings
- LED for visual function display
- **ÖVE** – externally certified according to DIN EN 61643-11

Compact surge protective device of type 2+3.

Arresting capacity I_n 10 kA, I_{max} 20 kA, I_n N-PE 40 kA.

Now, also suitable for the main distribution in systems without an external lightning protection system and fed in via an earthing cable.



Use in main
and sub-distributor



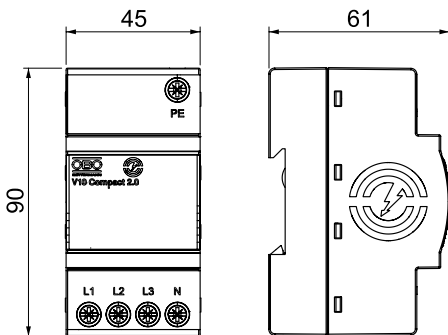
Surge arrester V10 Compact 2.0



Surge protective device Compact module, type 2+3

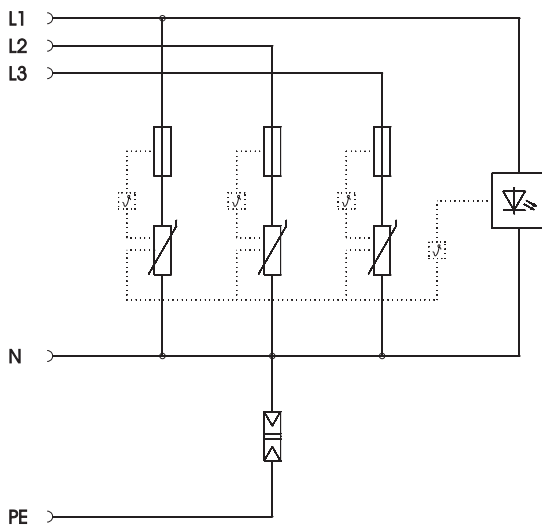
- Surge protection in main and sub-distributors according to VDE 0100-443 (IEC 60364-4-44)
- Arresting capacity up to 60 kA (8/20) total
- Integrated 3+1 solution for TN and TT network systems on 45 mm module width
- High-performance varistor technology
- Incl. thermal and dynamic cut-off device and visual function display

Application: Main and sub-distributor, as well as device protection in three-phase systems.



Type	Highest continuous voltage V	Version	Pk units	Weight kg/100 units	Item no.
V10 Compact 2.0	255	3+NPE	1	15,800	5093381

Connection options



V10 Compact2.0		
Rated voltage AC (50/60 Hz)	U_n	230 V
Maximum continuous voltage	U_c	255 V
SPD to EN 61643-11		Type 2+3
SPD to IEC 61643-11		Class II+III
LPZ		1→3
Nominal discharge current (8/20)	I_n	10 kA
Arrester surge current (8/20) [total]	$I_{total 8/20}$	60 kA
Maximum discharge current (8/20 μs)	I_{max}	20 kA
Protection level [L-N]	U_p	1.1 kV
Protection level [N-PE]	$U_{p/N-PE}$	1.5 kV
Response time	t_A	< 25 ns
Maximum back-up fuse		63 A
Temperature range	ϑ	-40 to +80 °C
Division unit (17.5 mm)		2.5
Protection rating		IP20
Connection cross-section rigid		2.5–10 mm ²
Connection cross-section, multi-wire		2.5–10 mm ²
Connection cross-section, flexible		2.5–10 mm ²